

# POK-041-ALZN Circular steel washer 40mm

Steel washer with special form for roofing applications, for use with all types of roofing screws.



## Approvals and Reports

- ETA-09/0346



## Product information

### Features and benefits

- Round washer made of aluminum and zinc sheet, which ensures a very high resistance against corrosion. Its sculpted shape allows for trouble-free installation using a dedicated rigid mounting screws for hard roof insulation.

### Applications

- Systems of mechanically fastened flexible roof waterproofing membrane

### Base materials

#### Approved for use in:

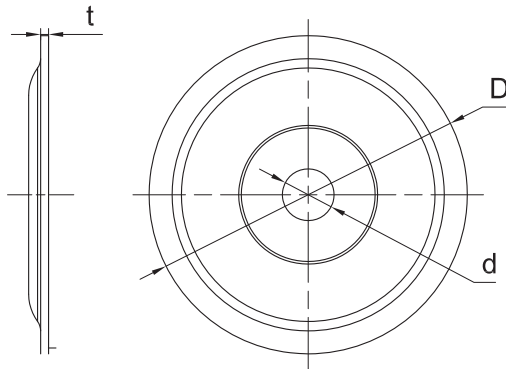
- Metal Sheet & Profiles
- Timber
- Chipboard
- Plywood
- Concrete
- Concrete Slab

## Installation guide



1. Position POK washer on insulation and insert: WCS,WW screw
2. Using drilling machine, drive the screw into substrate until fixing depth is reached

## Product information



Product Code	Aluminum washer		
	Hole diameter	Plate diameter	Thickness
	d	D	t
	[mm]	[mm]	[mm]
R-POK-041-ALZN	6.5	40	0.7

## Product commercial data

Product Code	Aluminum washer		Quantity [pcs]			Weight [kg]			Bar Codes
	Hole diameter [mm]	Plate diameter [mm]	Box	Outer	Pallet	Box	Outer	Pallet	
R-POK-041-ALZN <sup>1)</sup>	6.5	40	100	1200	48000	1.05	12.6	534.0	5906675102559

1) ETA-09/0346